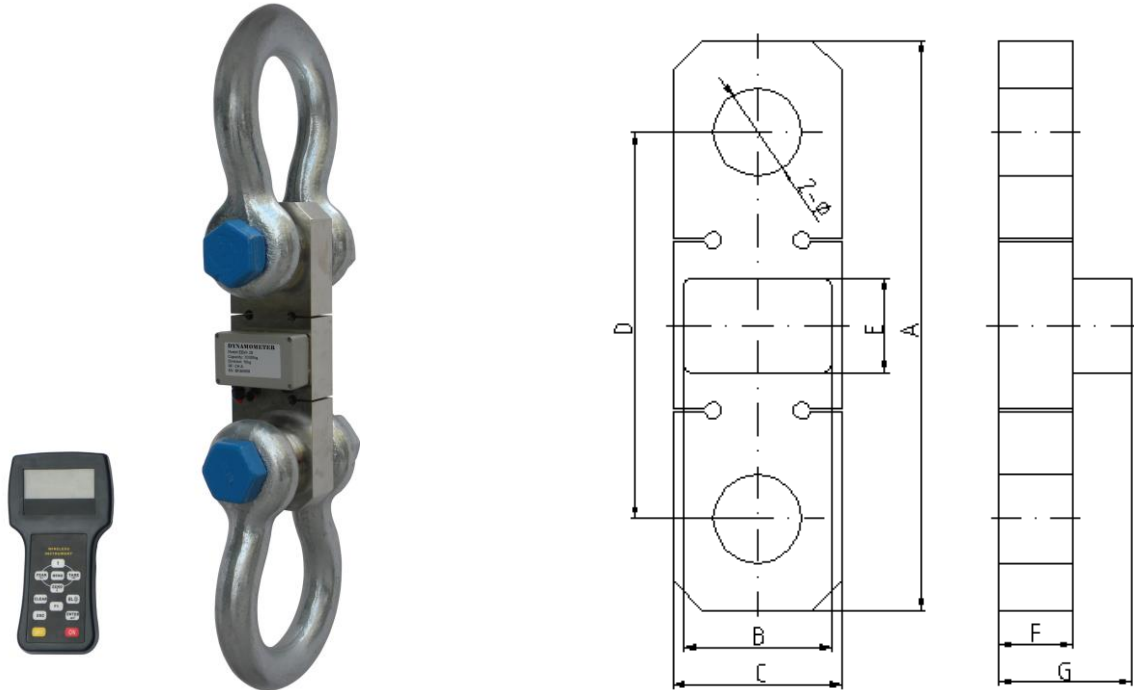


Wireless Tension Link

Model: EBW-2D



DIMENSIONS(Dimensions shown are nominal and subject to tolerances)

MODEL	Cap. (kg)	A (mm)	B (mm)	C (mm)	D (mm)	E (mm)	F (mm)	G (mm)	2-Φ (mm)	N.W. (kg)
EBW-5	5000	190	110	60	137	65	30	70	27	2.6
EBW-10	10000	245	110	70	168	65	36	76	41	4.3
EBW-20	20000	312	110	94	206	65	45	85	54	8.5
EBW-30	30000	370	110	114	246	65	50	90	60	14
EBW-50	50000	460	110	140	309	65	60	100	73	25
EBW-100	100000	580	110	180	389	65	80	120	99	53
EBW-150	150000	690	110	220	456	65	90	130	112	89
EBW-200	200000	800	110	250	534	65	100	140	134	128

EBW-2D wireless tension link is an extremely well-built instrument for industry use ,as a standard

Vaakatalo Oy
Vestonkatu 11
33580 Tampere

wireless tool offer universal applications, Whether used as conventional crane weigher or to measure force, EBW-2D wireless tension link is microprocessor controlled for high precision accuracy, calibration is easier with wireless handheld indicator 280D.

Material: Nickel plated high strength alloy steel

Protection class: IP67 class water proff

Accuracy: 0.05% for 1-50t, 0.1% for above 50t capacity.

Units: Units are clearly display on the screen, available in the following measurment reading: kilograms(kg), short Tons(t) pounds(lb), Newton and kilonewton(kN)

Shackles: High tension industrial standard G2130 anchor shackle bows, galvanized finish.

Gravity regulation: The acceleration of gravity can be regulated through indicator parameter setting according to different places value.

Functions: wireless indicator with many functions: Zero, tare, Low battery warnings, peak hold, overload warning. User calibration(with password).

Set-Point: Two user programmable Set-Point can be used for safety and warning applications or for limit weighing.

Package: Packed with carry case, easy to bring.

Communication: RS232 output

Main technical data:

280D Indicator Display	25mm (1") 5digits LCD with backlight
Power on zero range	20% F.S.
Manual Zero Range	4% F.S.
Tare Range	100% F.S.
Stable Time	≤5 seconds
Overload Indication	100% F.S. + 9e
Max. Safety Load	125% F.S.
Ultimate Load	400% F.S.
Sealing Standard	IP-67 protected from dust and high pressure jets of water
Body Battery	Standard 18650 Lithium battery, 3.7V/3100mAh
Indicator Battery	Standard 18650 Lithium battery, 3.7V/3100mAh
Operating Temp.	- 20°C ~ + 50°C
Operating Humidity	≤85% RH under 20°C
Wireless Distance	200M without obstacle
Wireless Frequency	433MHz

Vaakatalo Oy
Vestonkatu 11
33580 Tampere