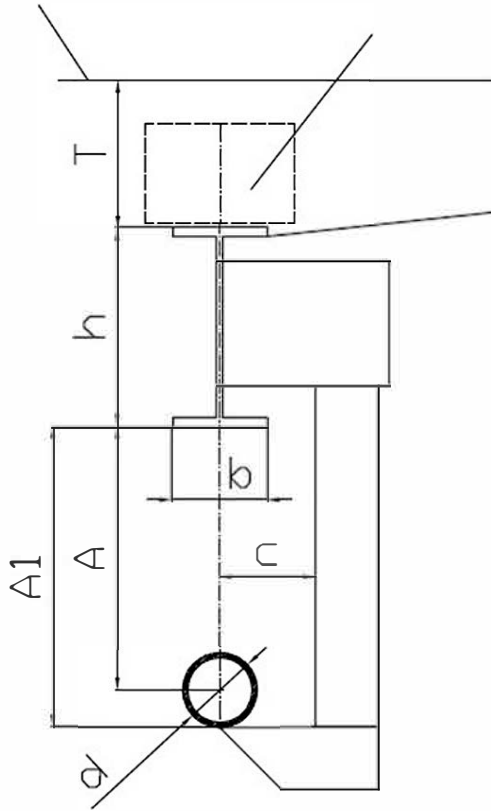




Ruhovaa'an mitat

Building sealing

Tubular overhead scale



Rail type
 KISKON MITAT JA TYYPPI :

Mitat mm:

A=

A1=

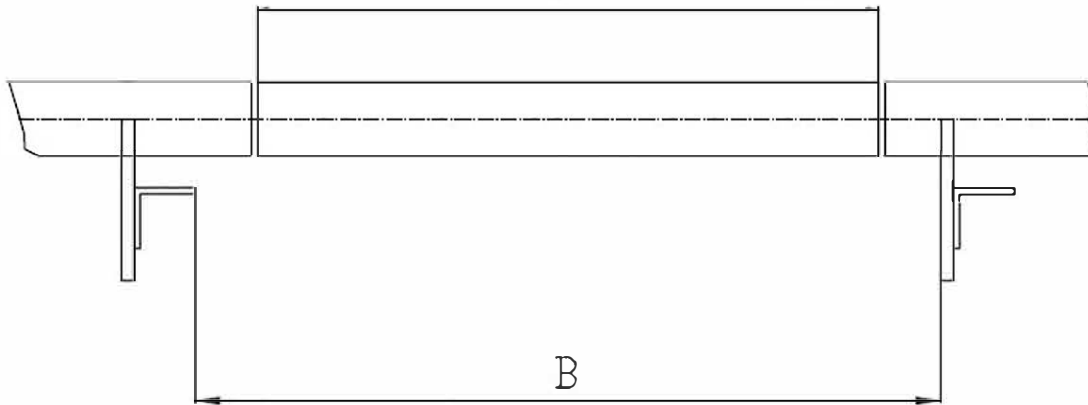
h=

T=

b=

d=

L — Tube length *Putken pituus L=*



Inner dimension of the sealing suspension