



Short Description



- Stainless steel IP67 single point load cell
- Suitable for single or double load cell structured platform scales
- Maximum platform size: 600 x 600 mm

Non OIML approved

Available Models

Capacity	Accuracy	Full Article Description
100kg	C3	B6G-C3-100kg-3G6
150kg	C3	B6G-C3-150kg-3G6
200kg	C3	B6G-C3-200kg-3G6
250kg	C3	B6G-C3-250kg-3G6
300kg	C3	B6G-C3-300kg-3G6
500kg	C3	B6G-C3-500kg-3G6
600kg	C3	B6G-C3-600kg-3G6

Technical Specifications B6G

Accuracy Class		C3
Output Sensitivity (= FS)	mV/V	2.0 ± 0.2
Maximum Capacity (E _{max})	kg	100, 150, 200, 250, 300, 500, 600
Max. Number of Load Cell Intervals	n _{LC}	3000
Ratio of min. LC Verification Interval	$Y = E_{max} / V_{min}$	10000
Combined Error	%FS	≤± 0.020
Creep Error (30 minutes)	%FS	≤± 0.016
Temperature Effect on Zero (ZTC)	%FS/10°C	≤± 0.015
Temperature Effect on Sensitivity (STC)	%FS/10°C	≤± 0.011
Zero Balance	%FS	≤± 1.0
Safe Overload	%FS	150
Ultimate Overload	%FS	300
Eccentric Loading Error	%Ld/cm	± 0.002
Excitation, Recommended Voltage	V	5 ~ 12
Excitation, Maximum Voltage	V	18
Input Resistance	Ω	385 ± 5
Output Resistance	Ω	350 ± 3
Insulation Resistance (50V)	MΩ	≥5000
Compensated Temperature	°C	-10 ~ +40
Operating Temperature	°C	-35 ~ +65
Storage Temperature	°C	-40 ~ +70
Load Cell Weight	kg	~ 4.6
Element Material		Stainless Steel
Ingress Protection (acc. to EN 60529)		IP67
Recommended Torque on Fixation Bolts	Nm	M8: 20
ATEX Classification (optional)		II1G Ex ia II1C T4 II1D Ex iaD 20 T73°C II3G Ex nL IIC T4

Wiring

Features:

Cable type: Shielded, 6 conductor cable , conductor AWG 24

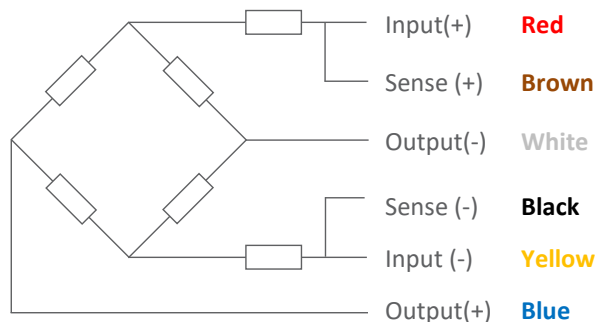
Cable diameter: Ø 6.2mm

Cable length: 3.0m

Cable jacket: PVC

Shield not connected to element

6-Wire Connection Diagram

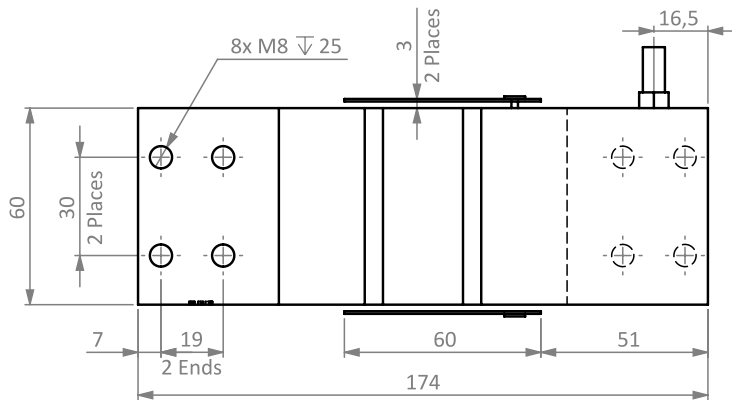


Specifications and dimensions are subject to change without notice and do not constitute any liability whatsoever.

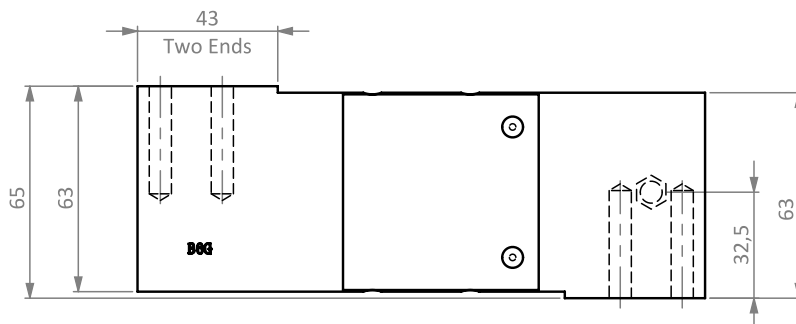
Type B6G Load Cell

Dimensions in mm

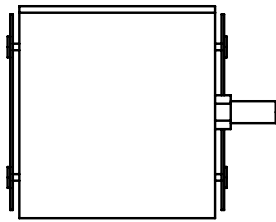
Top View



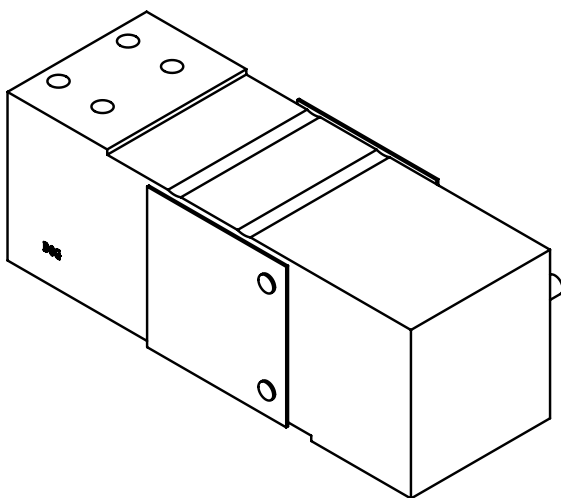
Front View



Side View



Isometric View



Specifications and dimensions are subject to change without notice and do not constitute any liability whatsoever.