

## Short Description

- Easy installation
- Built in horizontal movement control
- Can be used in hazardous environments
- Lift-off protection
- Stainless steel (type 1.4301 / 304)
- Includes **BM-24-40x-Zx** Rocker Pin set
- Can be used with load cell model: BM24R

## Available Models

Model	Capacity with Load	Full Article Description	Part Number
BM-24-401	0.25t – 1t	BM-24-401-ZT tankmount 0.25t/1t SS304	22400100
BM-24-402	2t – 5t	BM-24-402-ZT tankmount 2t/3.5t/5t SS304	22400200
BM-24-403	10 – 13t	BM-24-403-ZT tankmount 10t -13t SS304	22400300

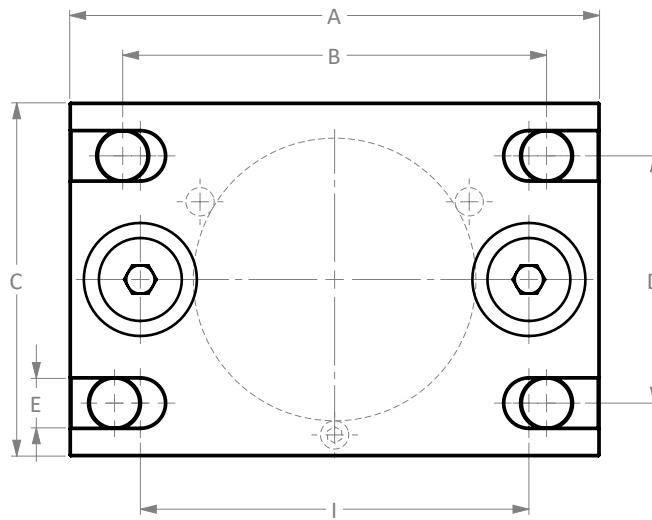
## Technical Specifications BM-24-401/402/403

Type	BM-24-401	BM-24-402	BM-24-403
Maximum vertical force (down)	15 kN	30 kN	50 kN
Maximum vertical force (up)	10 kN	20 kN	30 kN
Maximum horizontal force	5 kN	10 kN	20 kN
Maximum horizontal movement	+3 / -3 mm	+3 / -3 mm	+3 / -3 mm
Installation height	80 mm	105 mm	117 mm
Working height	75 mm	100 mm	110 mm

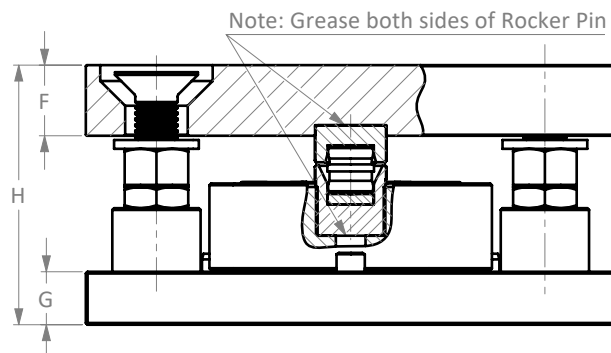
**Note:** Expressed maximum forces refer to this mount, without load cell installed.

## Dimensions in mm

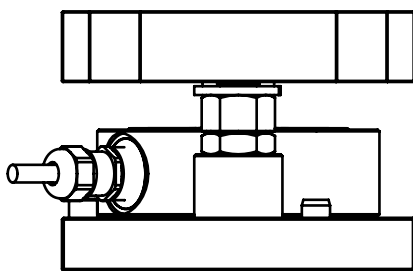
### Top View



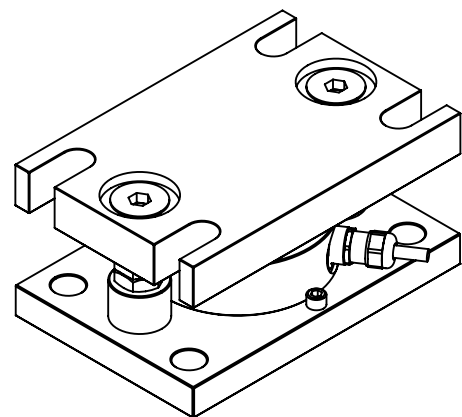
### Front View



### Side View



### Isometric View



Dimension Type	A	B	C	D	ØE	F	G	H	I
BM-24-401	150	120	100	70	14	20	15	75	110
BM-24-402	160	120	110	70	16	20	20	100	N/A
BM-24-403	210	175	120	85	18	25	20	110	N/A

Specifications and dimensions are subject to change without notice and do not constitute any liability whatsoever.