



## Short description



- Controlled horizontal movement
- Easy load cell access
- Stainless steel
- Lift-off protection
- Rocker support not included
- Can be used with Load Cell models: BM14C and HM14C

## Available models

Model	Capacity	Full article description	Part number
BM-14-411	10t – 50t	BM-14-411-10/50t	2140024

## Detailed specifications BM-14-411

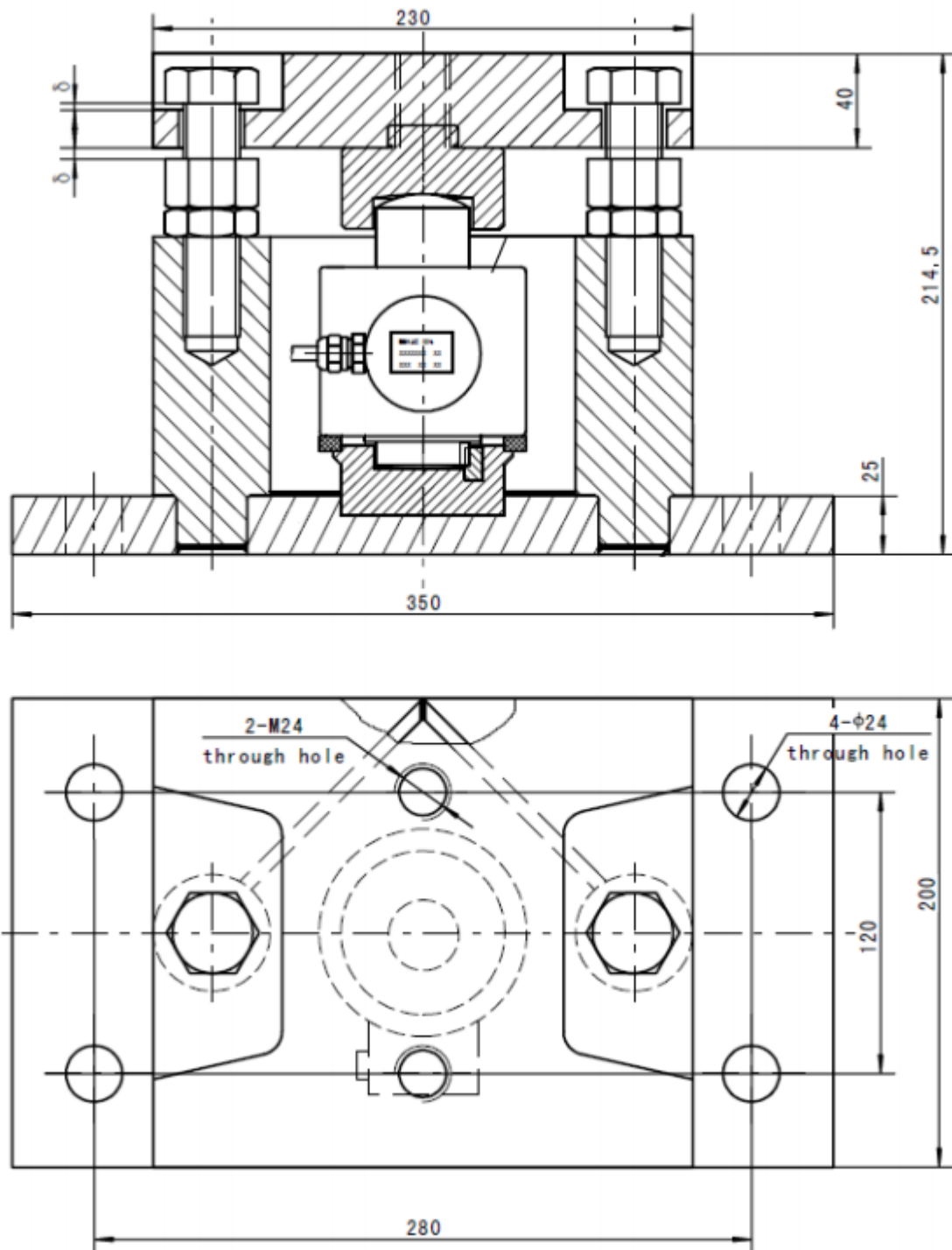
Capacity	10t – 50t
Maximum vertical force (down)	45 kN
Maximum vertical force (up)	35 kN
Maximum horizontal force	15 kN
Maximum horizontal movement	+2 / -2 mm

## Rocker support information

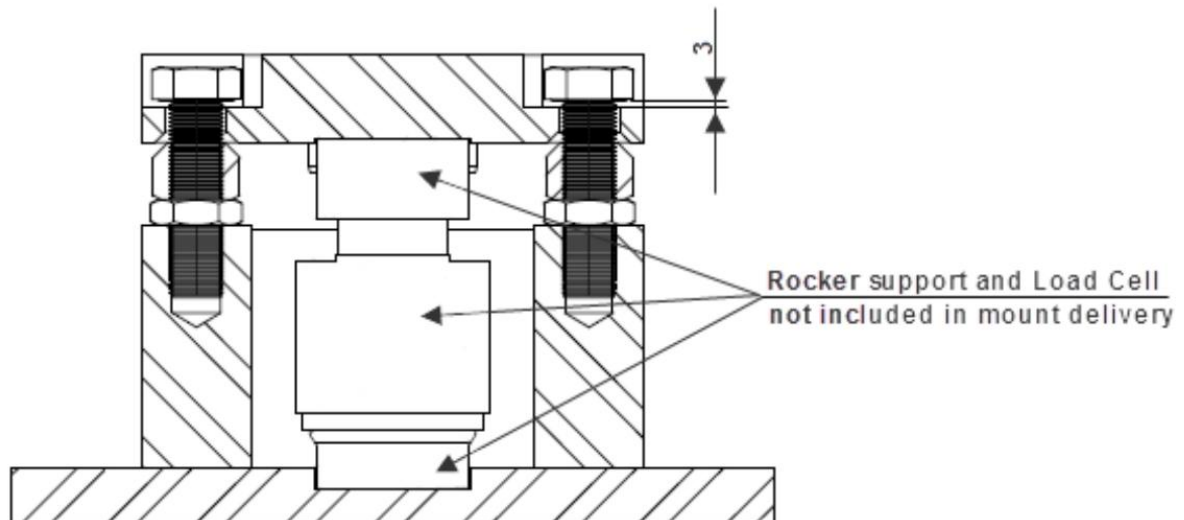
Rocker support	Load cell model	Part number
BY-14-103-10/30t	HM14C-10/30t	2140410
BY-14-103-10/30t	BM14C-10/30t	2140410
BY-14-103-40/50t	HM14C-40/50t	2140411
BY-14-103-40/50t	BM14C-40/50t	2140411

Specifications and dimensions are subject to change without notice and do not constitute any liability whatsoever.

## Dimensions in mm



Specifications and dimensions are subject to change without notice and do not constitute any liability whatsoever.



## Installation Instruction

---

Pre-assembly: Set height of the set to 214 – 215mm by turning the center nut up. The top plate should be locked between the bolt head and this center nut.

Slide the assembly in the application and fix the base plate and top plate to customers application. Make sure there are no horizontal forces to the mount.

Install Load Cell with rocker support: Remove the lock plate from bottom plate and the two set screws from the top plate. Slide the Load cell with rocker supports in place. Install the lock plate on the base plate and screw the set screws in the top plate. Make sure the Load cell is in a good vertical position.

Lower the center nuts now one by one by turning them half a turn at the time. This will ensure a good vertical movement. When more mounts are installed in the application than all mounts must be installed simultaneously .

The installation is now ready to use.

Specifications and dimensions are subject to change without notice and do not constitute any liability whatsoever.