

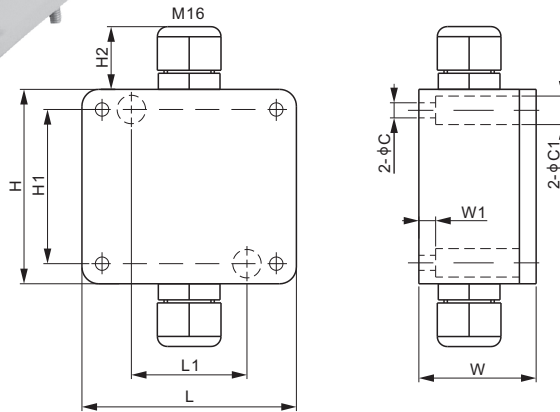
## A1A

### Analogue Amplifier



#### Features:

- One input port, can connect directly to 1 x 350Ω load cell, or max 4 x 350Ω (or higher resistance) load cells through a junction box, or max 8 x 700Ω (or higher resistance) load cells through a junction box
- One output port, signal can be either 0...10 V or 4...20 mA



#### DIMENSIONS

	C	C1	H	H1	H2	L	L1	W	W1
mm	4.5	8.5	58	46	18	64	34.5	35	5
inches	0.2	0.3	2.3	1.8	0.7	2.5	1.4	1.4	0.2

#### SPECIFICATIONS

Load Cell Type		All strain gage type
Weight (G), approx.	kg/lb	0.17 / 0.37
Power Supply	V DC	24 ± 10%
Input Range	mV	0 - 30
Max. Power Voltage	DC	30V, 2.5A
Output Signal (Zero adjustable ± 20%)	V	0 - 10
	mA	4 - 20
Max. Output Current	mA	40
Max. Input Offset Voltage	μV	50
Min. Common-mode Rejection Ratio (G=10)	dB	100
Protection Class		IP66
Enclosure Material		Aluminum casting
Tare Limit		Shall not exceed 30% of full load
Operating temperature range	°C / °F	-10 - 50 / 14 - 122
Linearity		≤ 0.02%
Voltage Full Scale Temperature Drift	ppm/°C	50
Current Full Scale Temperature Drift	ppm/°C	60

#### PART NUMBER

Part No.	*Compatibility with IO-LINK of Balluff's	Weight (kg) Approx.
A1A-22.....	No.....	0.17
A1A-22B.....	Yes.....	0.17

\* compatible models of IO-Link of Balluff's:  
 - BNI IOL-709-000-K006  
 - BNI IOL-710-000-K006  
 - BNI IOL-712-000-K023  
 - BNI IOL-714-000-K023

#### CONNECTION DIAGRAM

