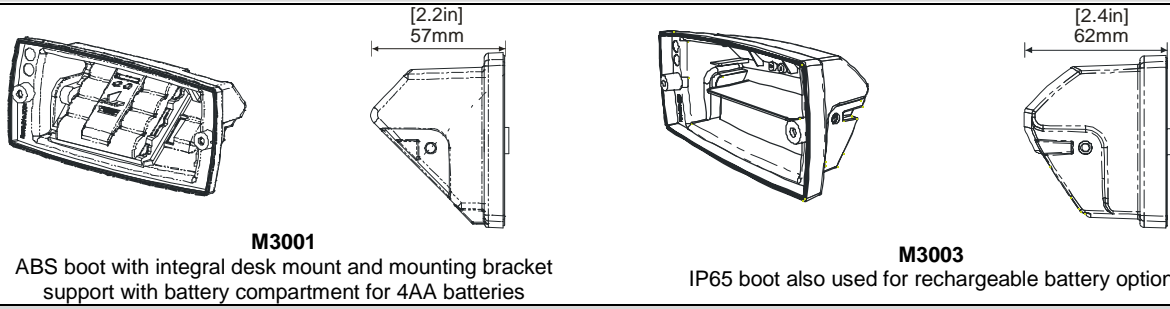


R300 Series Specification Table

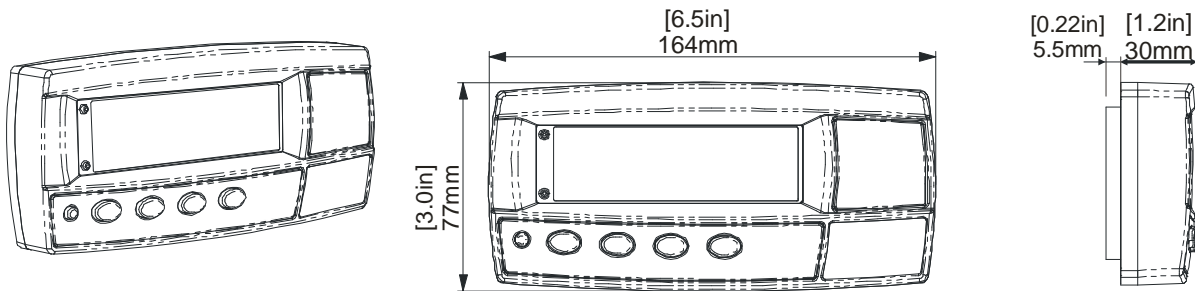
		R320 (ABS Housing)	R323 (Stainless Steel)
Resolution		Up to 30,000 divisions, minimum of 0.25 μ V/division.(K303: up to 60,000 divisions)	
Zero Cancellation		\pm 2.0mV/V	
Span Adjustment		0.1mV/V to 3.0mV/V full scale	
Excitation		5 V for up to 4 x 350 or 8 x 700 ohm load cells (4-wire or 6-wire plus shield) Max total load cell resistance: 3,500 Ω (4x350 Ω Nontrade 8x350 Ω)	
A/D Type		24bit Sigma Delta with 8,388,608 internal counts 20 updates/second	
Operating Environment		Temperature: -10° to +50°C ambient (14° to 122° F) Humidity: <90% non-condensing IP65 when panel mounted	
Display		LED Backlit LCD with six 20mm (0.8") high digits with units and annunciators	
Setup and Calibration		Full digital with visual prompting in plain messages	
Digital Filter		Sliding window average from 0.1 to 4.0 s	
Zero Range		Selectable from \pm 2% to \pm 100% Full Scale	
Standard Power Input		7 to 24VDC, 4.8, 9.6,12 and 24V batteries (2.5 VA max) ON/OFF key with memory feature	
Variants	AC	AC Plug pack: 110/240VAC 50/60Hz in 12VDC 1.5A out	AC Power supply: 110/240VAC 50/60Hz in 12VDC 1.2A out
	Battery	12V battery pack (rechargeable NiMH) 4 x AA batteries	12V battery pack (rechargeable NiMH) -
Case Materials		ABS Housing	Stainless Steel Flush Mount
Packing Weights		Basic Indicator: 0.34kg (12oz)	Basic Indicator: 0.49kg (17oz)
Optical Data Communications		Magnetically coupled infra-red communications Conversion cables available for RS232 or USB	
		K342	K344 K354 K356
Serial Outputs		-	RS232 automatic transmit, network or printer outputs. Transmission rate: 2400, 4800, 9600 or 19200 baud
Functions		Manual Hold	Unit switching, counting, manual hold, peak hold,, totalising, high resolution, auto tare, display test
Assignable Function Keys		Fixed to Hold	1
Battery Backed Clock Calendar		-	Battery life 10 years minimum
Input/Outputs		-	2 Outputs - isolated transistor drive outputs (300mA total at 50VDC)
		-	1 Input
Set points		-	2
Approvals		4,000 d @0.8uV/d NMI (S-420),OIML R76 FCC, CE, C-tick,	

R320 Brackets	R323 Brackets
 <p>M3002</p>	 <p>M3007</p>
	 <p>M3011</p>

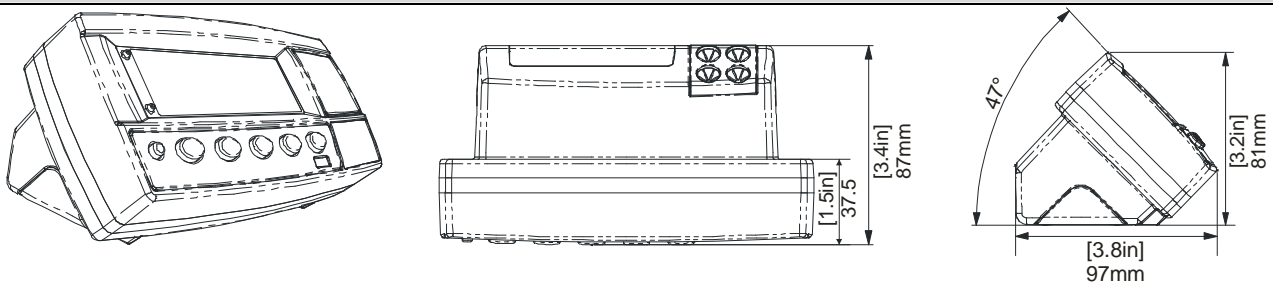
R320 Accessories – Rear boots



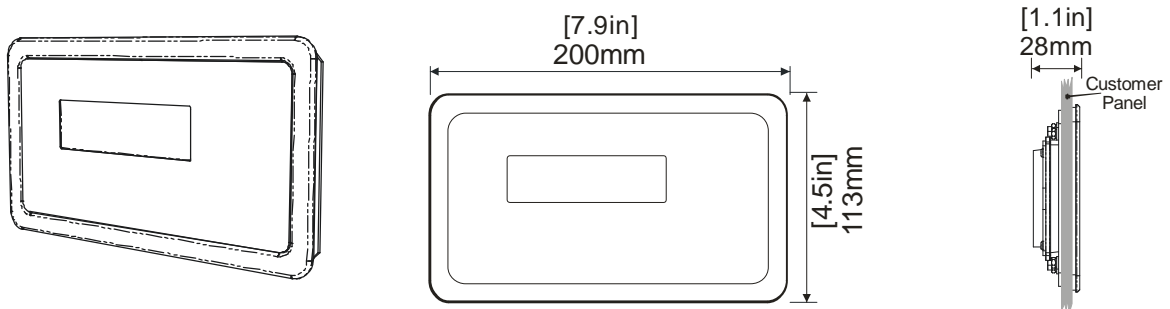
ABS Panel Mount



ABS with Rear Boot Desk Stand (M3001)



Stainless Steel Panel Mount



Stainless Steel with Rear Housing and Stand

