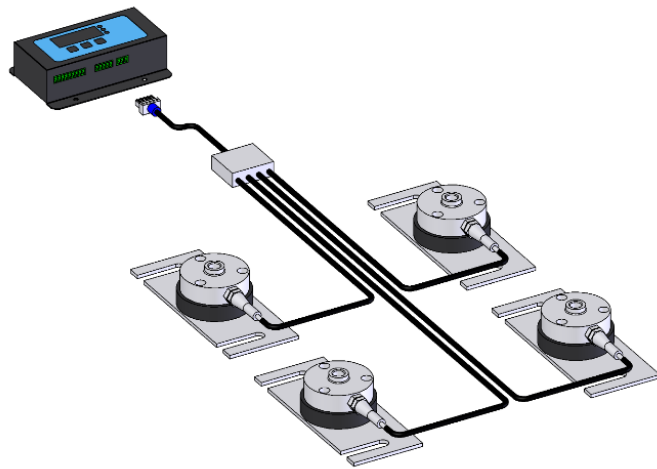
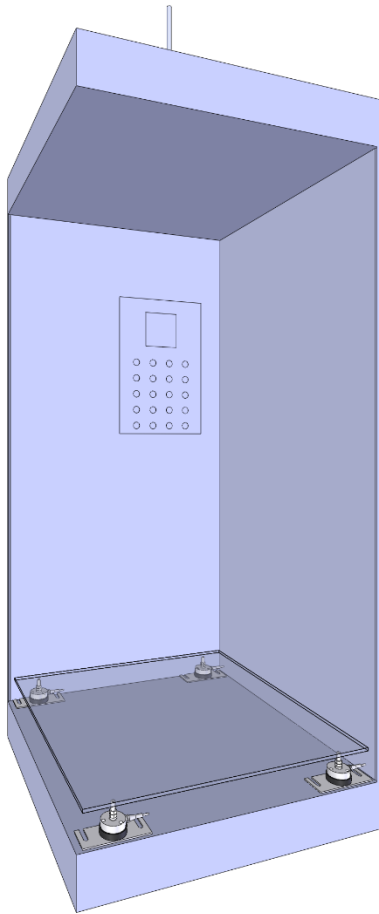


Elevator Weighing Kit – Cabin

LEWS-xt-x-xB6-D2-E



Short Description



- 4/8/12 Aluminium IP65 compression load cells
- Pre-calibrated IP54 indicator
- High accuracy
- Durable design
- Suitable for elevator weighing
- Easy installation, plug and play
- Indicates when elevator is loaded for 90% of the capacity
- Determines if the elevator is overloaded
- When less than 15 kg is loaded, the elevator doesn't move
- Adjusts engine power to actual weight

Set Contains

Quantity	Capacity	Full article description
4 / 8 / 12	1t	L2H-1-1t-2B Load Cell
1	-	IP65 fully potted Junction Box
1	-	Top-Sensors HC51x Indicator

Technical Specifications Single Load Cell (model no. L2H-1-1T-2B)

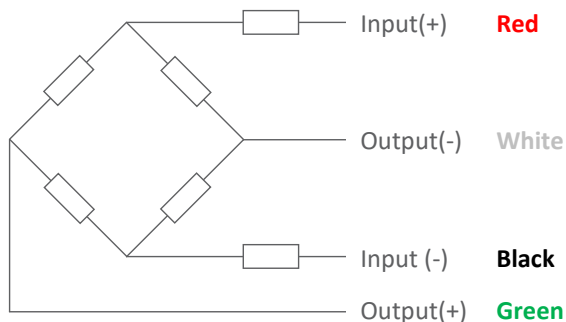
Maximum Capacity (E_{max})	t	1
Output Sensitivity (= FS)	mV/V	1.0 ± 0.2
Max. Number of Load Cell Intervals	n_{LC}	3000
Ratio of min. LC Verification Interval	$Y = E_{max} / V_{min}$	10000
Zero Balance	%FS	$\leq \pm 0.1$
Combined Error	%FS	$\leq \pm 0.5$
Creep Error (5 minutes)	%FS	$\leq \pm 0.05$
Non-Linearity	%FS	$\leq \pm 0.5$
Repeatability	%FS	$\leq \pm 0.5$
Hysteresis	%FS	$\leq \pm 0.5$
Temperature Effect on Zero (ZTC)	%FS/10°C	$\leq \pm 1.0$
Temperature Effect on Sensitivity (STC)	%FS/10°C	$\leq \pm 0.3$
Safe Overload	of E_{max}	120%
Ultimate Overload	of E_{max}	150%
Lateral Break Force	N	4000 @ 20°C
Excitation, Recommended Voltage	V	5 ~ 10
Excitation, Maximum Voltage	V	12
Input Resistance	Ω	350 ± 50
Output Resistance	Ω	350 ± 50
Insulation Resistance (50V)	M Ω	≥ 2000
Compensated Temperature	°C	-10 ~ + 40
Operating Temperature	°C	-35 ~ + 65
Storage Temperature	°C	-40 ~ + 70
Element Material		Aluminium
Ingress Protection (acc. to EN 60529)		IP65

Wiring

Features:

Cable type: Shielded, 4 conductor cable
 Cable diameter: \varnothing 5.0mm
 Cable length: 2.0m \pm 0.02m
 Cable jacket: PVC
 Shield not connected to element

4-Wire Connection Diagram



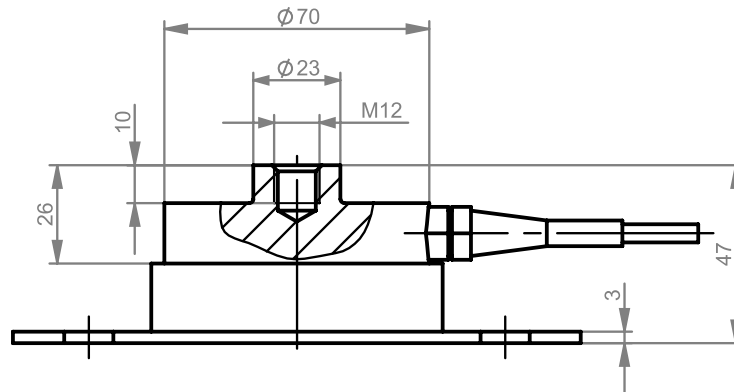
Specifications and dimensions are subject to change without notice and do not constitute any liability whatsoever.

Elevator Weighing Kit – Cabin

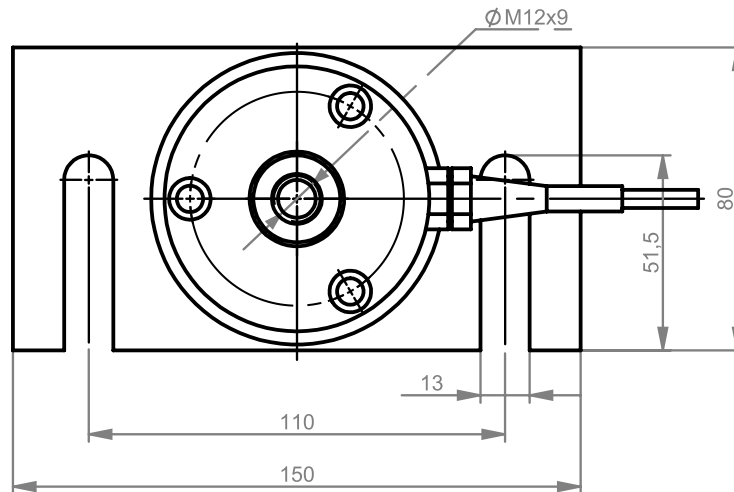
LEWS-xt-x-xB6-D2-E

Dimensions in mm

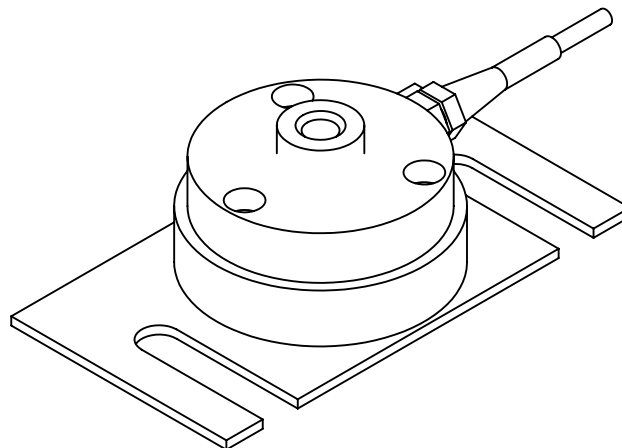
Side View



Top View



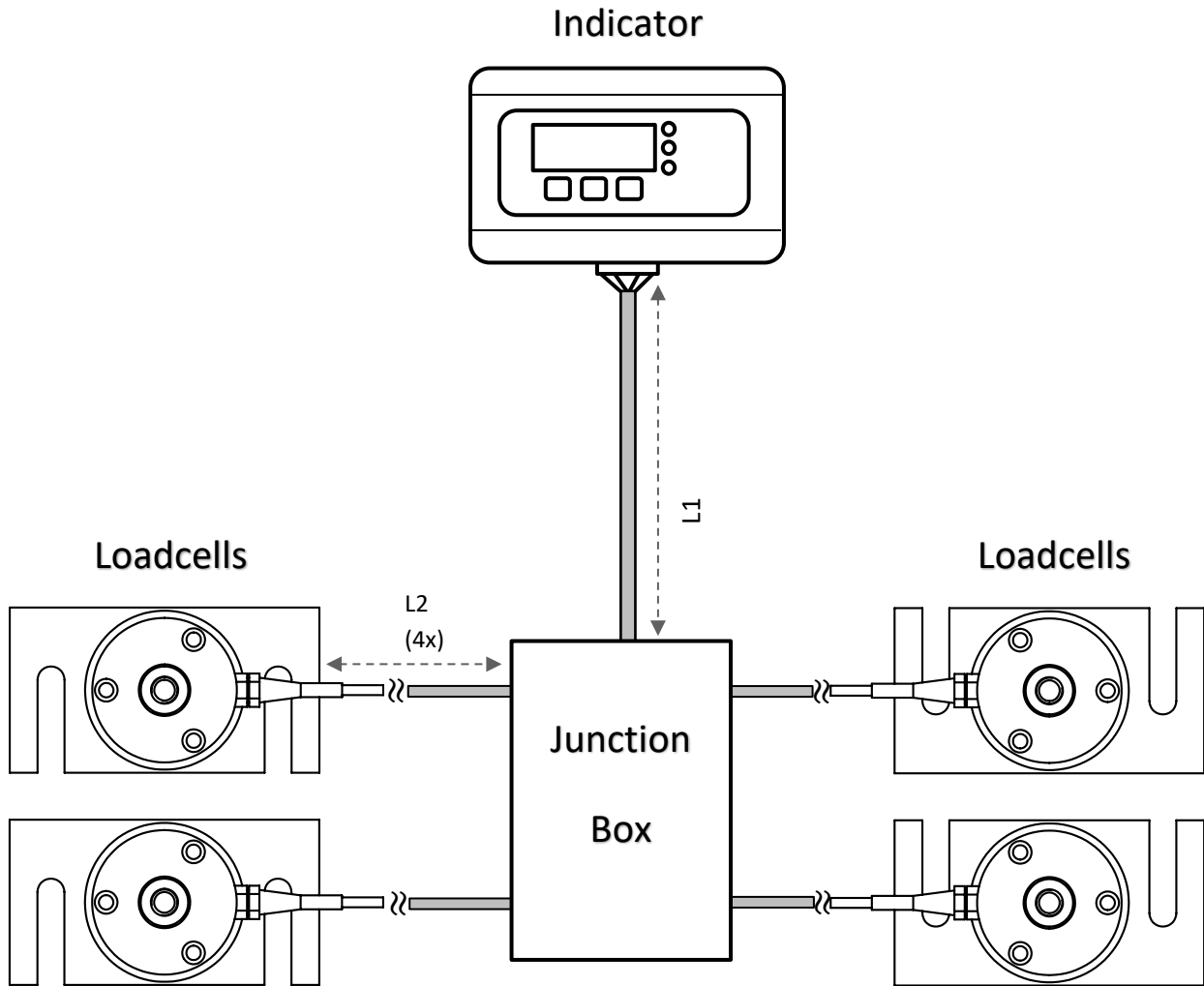
Isometric View



Note: The loadcells are already mounted on the bottom plates.

Specifications and dimensions are subject to change without notice and do not constitute any liability whatsoever.

Overall Assembly Diagram



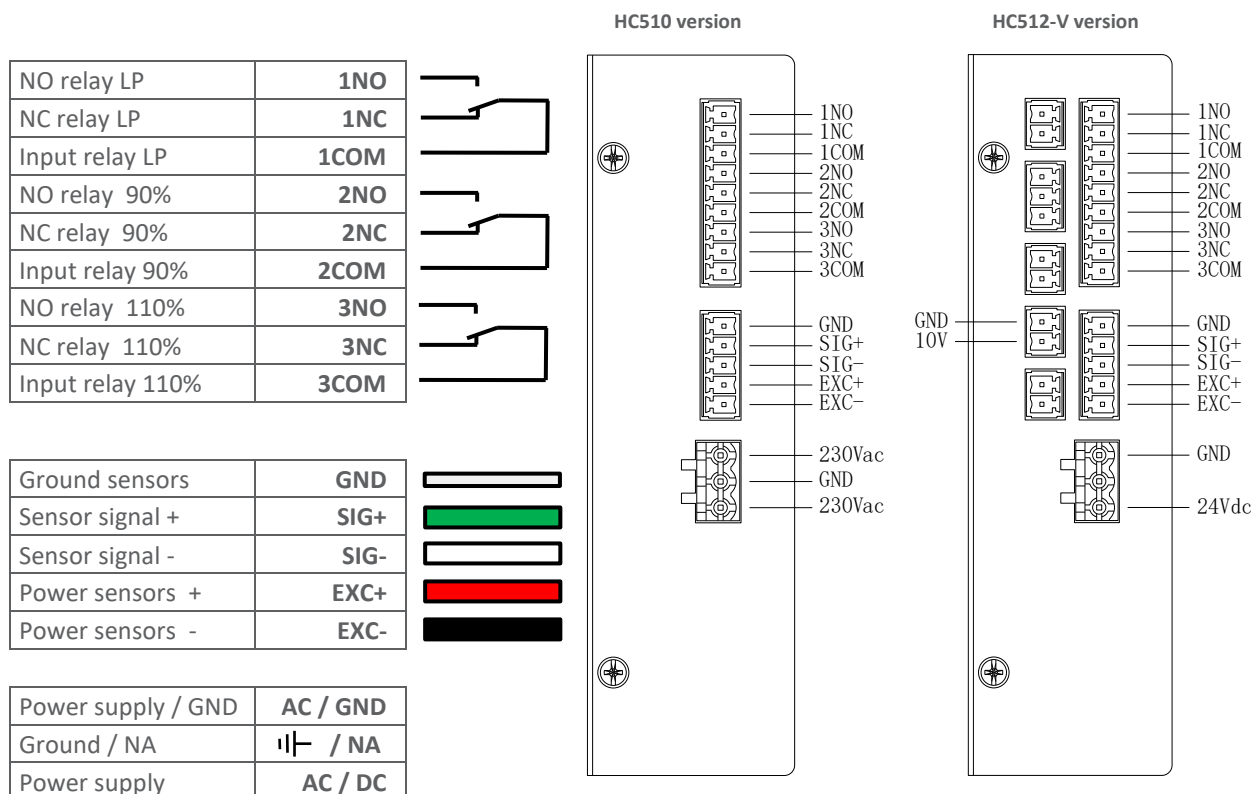
Cable lengths: L1 (Indicator to Junction box): 5.0m / L2 (Loadcell to Junction box): 2.0m

Note: This diagram shows 4 loadcells. Versions with 8 or 12 loadcells are also available.

Technical Features Top-Sensors HC51x Indicator

Power Supply	HC510: 230VAC ± 10% / 50~60 Hz	HC512: 24VDC ± 10%	
Power Consumption	6 W (max.)		
Maximum Current Switched by Relay Outputs	10 A / 28VDC		
Operating Mode	continuous		
Number of Programmable Relay Outputs	3		
Setting Threshold Range Loading	Set in kg		
Passenger Availability	0-50 kg		
90%	0-4000 kg	0-8000 kg	0-12000 kg
110%	0-4000 kg	0-8000 kg	0-12000 kg
Maximum Load	Sum of individual loadcells		
Maximum Permissible Short-time Overload	150%		
Lower Limit of Transformations	5 kg		
Maximum Duration of the Conversion Cycle	2 seconds		
Display	4-digit LED, 14.2mm 7-segment		
Indicators	Overload, Caution, Pre-caution		
Keypad	3-key flat tactile switches		
Operating Temperature Range	-10 ~ +40°C		
Storage Temperature Range	-20 ~ +50°C		
Humidity	0 ~ 90% @ 20°C (rel.)		
Degree of Protection for IEC 60529 (DIN 40050)	IP54		

Indicator Connection Diagram

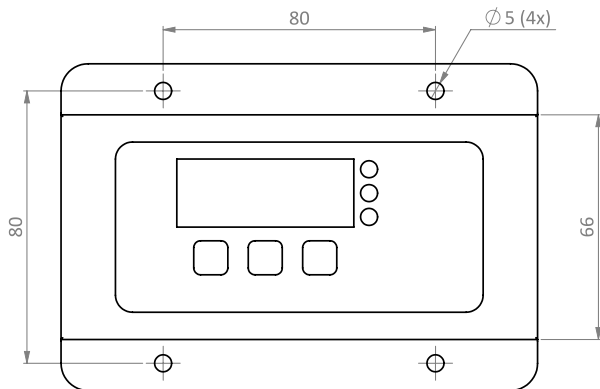


Elevator Weighing Kit – Cabin

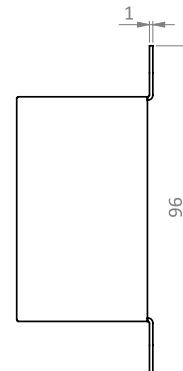
LEWS-xt-x-xB6-D2-E

Indicator Dimensions in mm

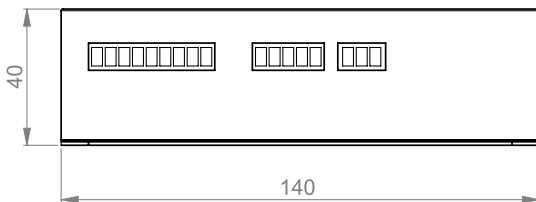
Top View



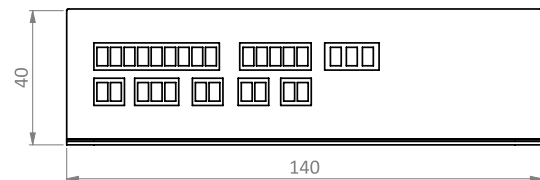
Side View



Front View HC510










Front View HC512-V



Display Keys and Settings



Indicator	Status	Key	Functions
 110%	LED Overload		Reset button / Scroll parameter / Increase value
 90%	LED 90% Load		Select a digit / Scroll menu
 	LED Child only in elevator		Turn on and off the display / Enter

Specifications and dimensions are subject to change without notice and do not constitute any liability whatsoever.