

FLC 3A

HYGIENIC COMPRESSION LOAD CELL

LAUMAS®



Capacity from 1000 kg to 20000 kg



EXAMPLE OF INSTALLATION ON HYGIENIC FOOT



- 17-4 PH STAINLESS STEEL
- COMBINED ERROR $\leq \pm 0.1\%$
- IP69K PROTECTION RATING
- CABLE SUITABLE FOR CONTACT WITH FOOD
- ADJUSTABLE HEIGHT
- HYGIENIC DEVICE RPSCQC AUTHORIZED BY 3-A SSI.

CAPACITY	kg	THREAD	NET WEIGHT (kg)
1000		M12	1.6
2000		M12	1.52
5000		M16	1.7
5000		M20	1.7
10000		M24	1.7
10000		M30	2.21
20000		M36	2.5

Foot not included.

CERTIFICATIONS



Equivalent of the CE marking for the United Kingdom



American standard that regulates the design, production and use of hygienic equipment

CERTIFICATIONS ON REQUEST



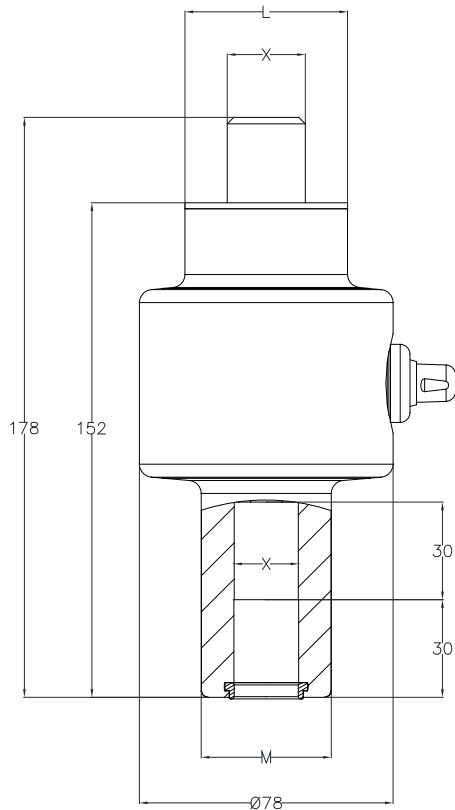
Linearity test

FLC 3A

HYGIENIC COMPRESSION LOAD CELL

LAUMAS®

DIMENSIONS (mm)



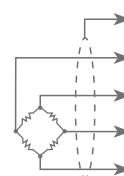
CAPACITY	X	L	M
1000 kg	M12x1.75	24	40
2000 kg	M12x1.75	24	40
5000 kg	M16x2	30	40
5000 kg	M20x2.5	35	40
10000 kg	M24x3	50	40
10000 kg	M30x3.5	50	50
20000 kg	M36x4	50	50

TECHNICAL FEATURES

Material	17-4 PH stainless steel		
Nominal load	1000 - 2000 - 5000 - 10000 - 20000 kg		
Combined error	≤ ±0.1%		
Protection rating	IP69K		
Rated output	2.0 mV/V ±0.1%	Input resistance	350 Ω ±20
Temperature effect on zero	0.005% °C	Output resistance	350 Ω ±5
Temperature effect on span	0.005% °C	Zero balance	±1%
Compensated temperature range	-10 °C / +50 °C	Insulation resistance	>5000 MΩ
Operating temperature range	-20 °C / +70 °C	Safe overload (% of full scale)	150%
Creep at nominal load in 30 minutes	0.05%	Ultimate overload (% of full scale)	300%
Max supply voltage without damage	5 ÷ 15 VDC	Deflection at nominal load	-

ELECTRICAL CONNECTIONS

Cable length	5 m: 1000 kg, 2000 kg, 5000 kg, 10000 kg (M24) 10 m: 10000 kg (M30), 20000 kg
Cable diameter	5 mm
Cores	6 x 0.20 mm ²



SHIELD	
+ SIGNAL	GREEN
+ EXCITATION	RED
+ REF./SENSE	BLUE
- SIGNAL	WHITE
- EXCITATION	BLACK
- REF./SENSE	BROWN

The Company reserves the right to make changes to the technical data, drawings and images without notice.

FLC 3A

HYGIENIC COMPRESSION LOAD CELL

LAUMAS®

COMPLEMENTARY ACCESSORIES

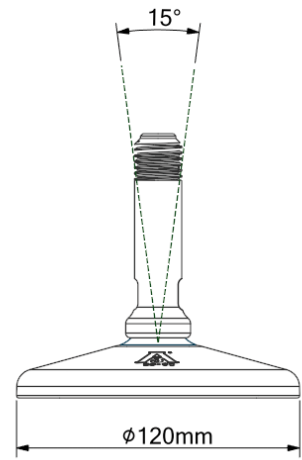
HYGIENIC FOOT

thread	load cell capacity
M12	1000 kg - 2000 kg
M16	5000 kg
M20	5000 kg
M24	10000 kg
M30	10000 kg
M36	20000 kg

For further information see the HD data sheets

On request: hygienic foot with dowel fastening

For other types of hygienic, non-hygienic feet or customizations contact <https://martinlevelling.it>



ANGULAR ADJUSTMENT

