

# HD

## Self-centering adjustable hygienic feet

LAUMAS®



Up to 20000 kg application range



MAX STATIC LOAD	kg	THREAD	DIMENSIONS	MATERIAL	NET WEIGHT (kg)
2000		M12	Ø120 x H 101 mm	stainless steel	0.3
5000		M16	Ø120 x H 101 mm		0.3
5000		M20	Ø120 x H 101 mm		0.4
10000		M24	Ø120 x H 97 mm		0.4
10000		M30	Ø120 x H 97 mm		0.9
20000		M36	Ø120 x H 97 mm		0.4

On request: pluggable hygienic foot, with holes for fixing to the floor.

For other types of hygienic or customized feet, please contact <https://martinlevelling.it>

### CERTIFICATIONS



Equivalent of the CE marking for the United Kingdom

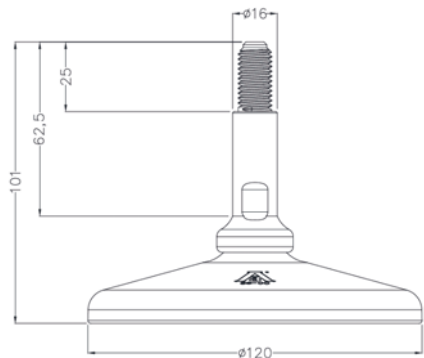


American standard that regulates the design, production and use of hygienic equipment

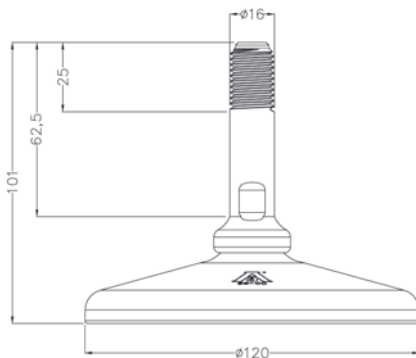
Rev. 0.0

### DIMENSIONS AND APPLICATION

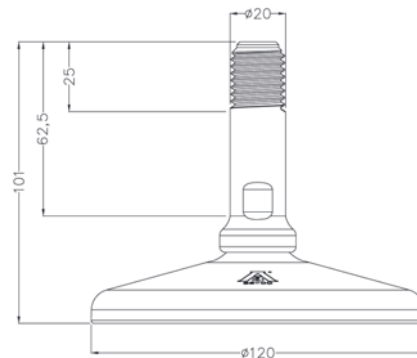
2000 kg  
M12 x 1.75



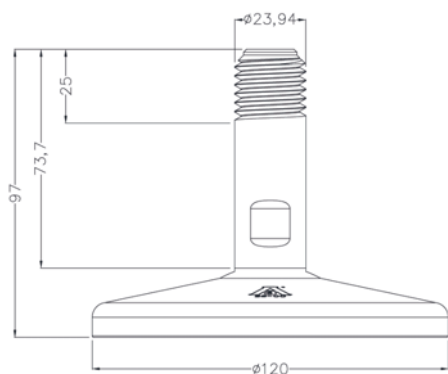
5000 kg  
M16 x 2



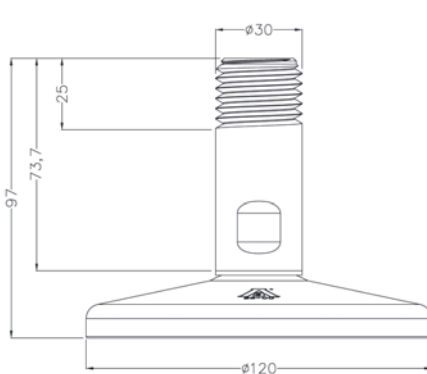
5000 kg  
M20 x 2.5



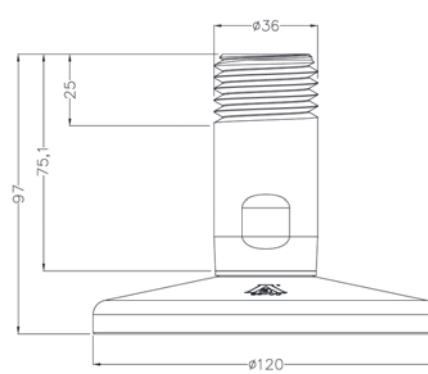
10000 kg  
M24 x 3



10000 kg  
M30 x 3.5



20000 kg  
M36 x 4



### EXAMPLE OF APPLICATION

